

Hope Track Light

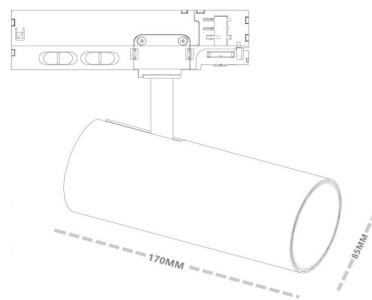
multi-functional track light-Power switch&CCT switch& Triac dimmable&Zoomable



3rd/F, Building 5, Bi'an Industrial Park, Huangfengling Industrial Zone, LuoZu Community, Shiyan Street, Bao'an District, Shenzhen, China

www.pustlux.com

Lightsource	LED
Family Name	PU-TL-30W-HPZ
Luminaire Type	Tracklight
Adapter Type	Intrack
Mounting Type	Track
Light Source Product Name	Bridgelux COB
Control Gear	Triac Dimmable
Beam angle	Lens 15-55°
Wattage	20W-25W-30W Power Switch
Luminous Flux	2100lm max
Efficacy (lm/W)	70-80 lm/W
Color Temperature	3000K-3500K-4000K CCT Switch
warranty	5 years
Color Rendering Index	Ra 90
Color Of Housing	white/black
IP Rating	20
Lifetime	50 000h (L80 B10)



Color Temperature option 2700k-3000k-4000k CCT switch/3000k-4000k-5800k CCT switch

Color Consistency MacAdams 5 SDCM

Material Powder painted cold forging aluminium

UGR 20.1

Package PU-TL-30W-HPZ

47*45*37cm 18.9KG

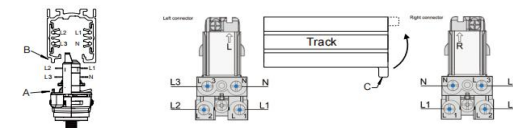
Container info.

Installation instruction

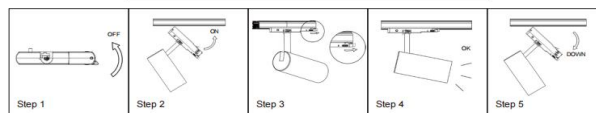
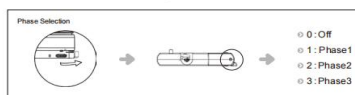
Installation Diagram

- Max. allowed weight of complete luminaire: 5 kg (50 N). It is valid for horizontal mounting of track system only
- The mechanical key (A) in the adaptor matches the groove (B) in the track. Rotate of about 90° the lever of the cam (C) until it reaches the locking position
- To open rotate the lever the opposite direction

Insert the adaptor into the track



Mounting luminaire



85*140(15-20-30W)
0.7kg/pc, 16.8kg/container, outer box:
46*38.5*36.5.

85*170(25-30-35W)
0.9kg/PC, 18.95kg/container, outer box
size: 46*44.5*36.5

20" Container, fill 275 CTNS,5500PCS
L589cm 47cm*11=564cm
W235cm 45cm*5=225cm
H239cm 37cm*6=222cm
11*5*6=330cartons*20=6600PCS

For more information, visit us at pustlux.com. We are more than happy to reply to your email at info@pustlux.com